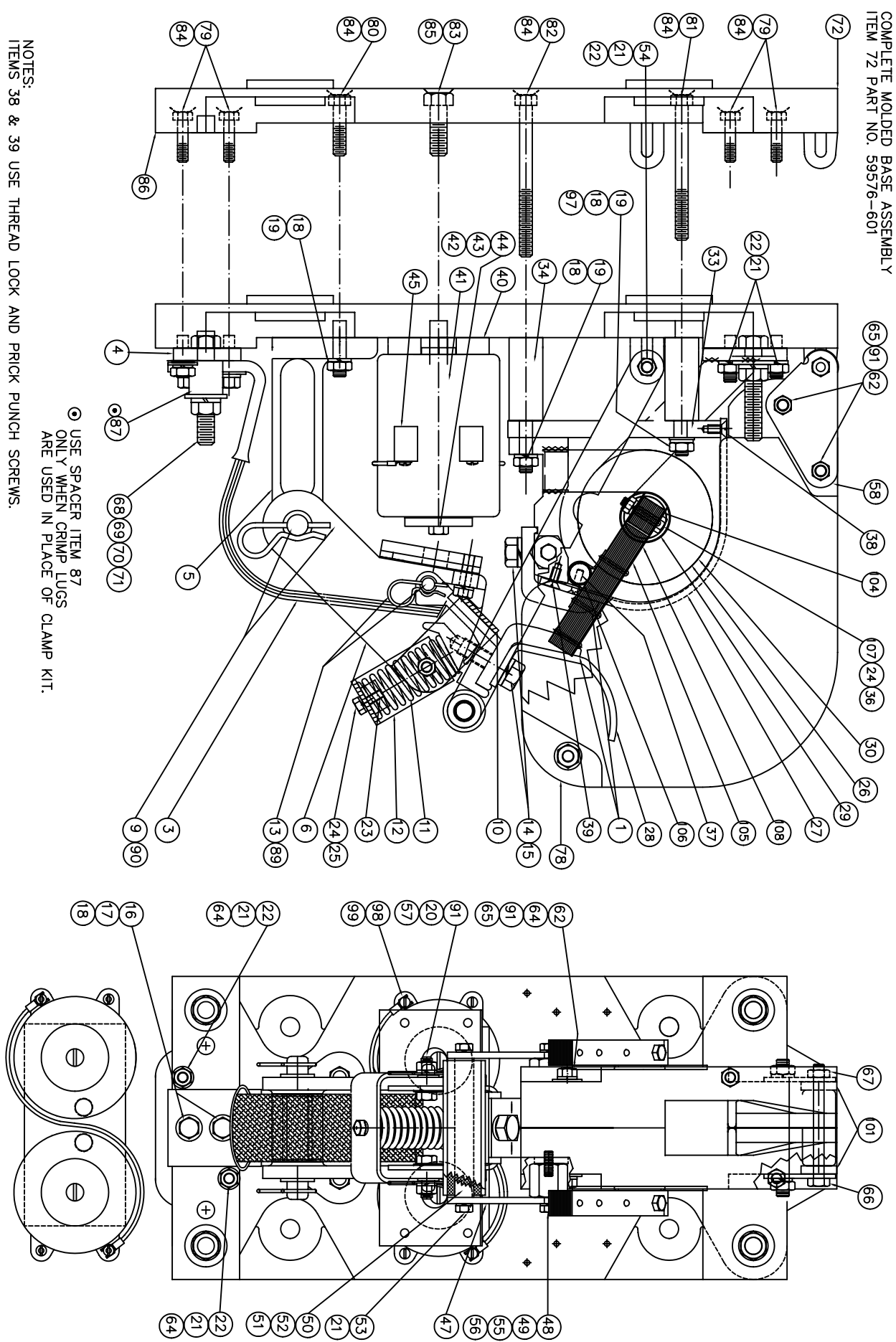


COMPLETE MOLDED BASE ASSEMBLY
ITEM 72 PART NO. 59576-601



NOTES:
ITEMS 38 & 39 USE THREAD LOCK AND PRICK PUNCH SCREWS.

⊙ USE SPACER ITEM 87
ONLY WHEN CRIMP LUGS
ARE USED IN PLACE OF CLAMP KIT.

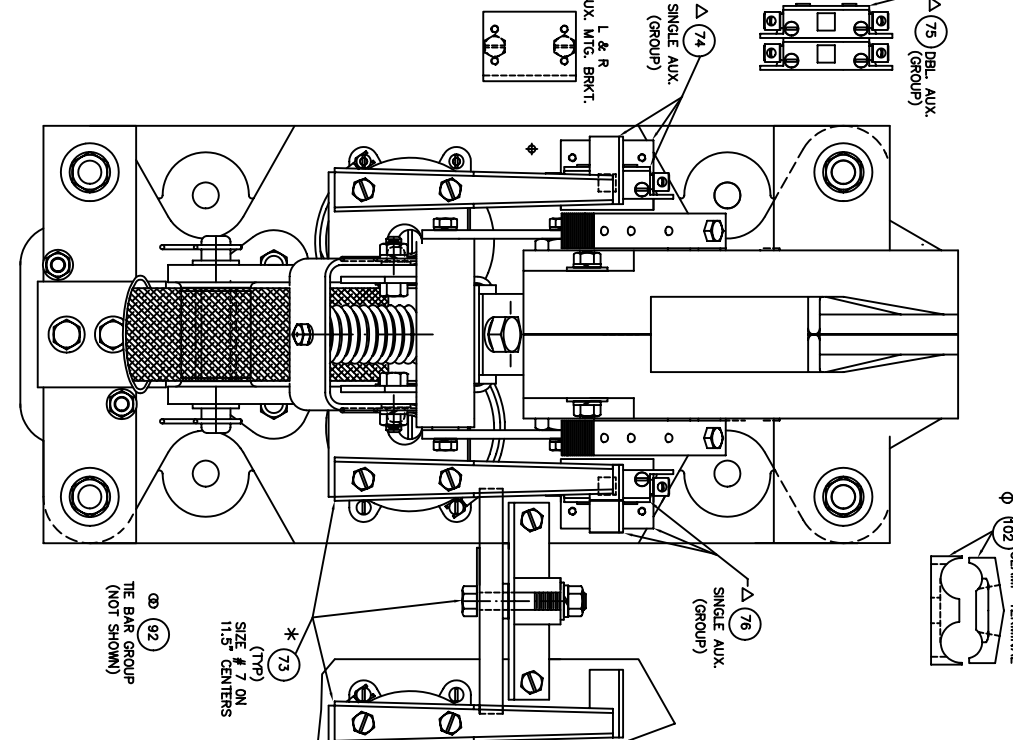
Rev	DATE	BY	DESCRIPTION	LINE#	QTY	UNIT	DATE	DR	WSH	REF.
E	9-22-00	TJJ	ADDED ITEM 97	01X	1	PUNCH	08/13/98	DR	WSH	REF.
D	2-22-00	TJJ	UPDATED DRAWING	02X	1	PUNCH	08/13/98	DR	WSH	REF.
C	2-22-00	TJJ	UPDATED DRAWING	03X	1	PUNCH	08/13/98	DR	WSH	REF.
B	11-21-97	TJJ	ADDED ITEMS 109 & 110	04X	1	PUNCH	08/13/98	DR	WSH	REF.
A	6-27-96	WSM	ARC TRANSFER WINGS CHANGED	05X	1	PUNCH	08/13/98	DR	WSH	REF.

REPAIR PARTS BULLETIN 5110
MOLDED BASE FRONT REMOVABLE
900 AMP, 1 POLE, N.O.
AC CONTACTOR, SIZE 7

DATE 06/13/98 DR WSM
1 OF 2
IPC-59700-4

ITEM	DESCRIPTION	QTY	PART NO.
1	CONTACT TIP	2	SEE CHART
2	SHUNT ASSEMBLY	1	59605-711
3	TERMINAL BUSS	1	59590-202
4	ARMATURE SUPPORT ASSEMBLY	1	59609-001
5	ARMATURE ASSEMBLY	1	59608-620
6	ARMATURE PIN	1	59649-002
7	CONTACT REST YOKE	1	59607-000
8	SPRING	1	67981-009
9	SPRING RETAINER YOKE	1	59606-000
10	HOLDER ARM HINGE PIN	1	59648-011
11	500-13 LOCK WASHER	2	47252-042
12	500-13 FULL HEX NUT	4	47253-505
13	500-13 LOCK WASHER	2	47252-042
14	500-13 X 1.25 LG. S.S. HEX HEAD SCREW	2	47252-042
15	375-16 X 1.00 LG. HEX HEAD SCREW	2	47246-103
16	375-16 X 1.00 LG. HEX HEAD SCREW	2	47246-103
17	375 S.S. FLAT WASHER	2	47250-285
18	375 LOCK WASHER	7	47252-040
19	375-16 HEX NUT	5	47253-603
20	375-18 X 1.00 LG. S.S. HEX HEAD SCREW	2	47779-081
21	LOCK WASHER 5/16	6	47252-039
22	375-18 HEX NUT	8	47253-602
23	SPRING HUB	1	66657-002
24	250 LOCK WASHER	3	47252-038
25	250-20 X .50 LG. SLOTTED HEX HEAD SCREW	1	59593-701
26	BLOWOUT COIL ASSEMBLY	1	59584-801
27	BLOWOUT GUARD	1	59602-701
28	ARC TRANSFER TIP	1	59589-802
29	BLOWOUT CORE INSULATOR	1	59587-000
30	BLOWOUT INSULATION WASHER	2	59587-000
31	SUPPORT PLATFORM	1	59583-000
32	SUPPORT SPACER	3	66870-041
33	250-20 X .75 LG. BRASS FLAT HEAD SCREW	2	47253-021
34	#10-32 X .62 LG. FLAT HEAD SCREW	2	47665-080
35	250-20 X .50 LG. BRASS FLAT HEAD SCREW	2	47665-108
36	250-20 X .50 LG. BRASS FLAT HEAD SCREW	2	47665-108
37	250-20 X .50 LG. BRASS FLAT HEAD SCREW	2	47665-108
38	250-20 X .50 LG. BRASS FLAT HEAD SCREW	2	47665-108
39	250-20 X .50 LG. BRASS FLAT HEAD SCREW	2	47665-108
40	250-20 X .50 LG. BRASS FLAT HEAD SCREW	2	47665-108
41	250-20 X .50 LG. BRASS FLAT HEAD SCREW	2	47665-108
42	250-20 X .50 LG. BRASS FLAT HEAD SCREW	2	47665-108
43	250-20 X .50 LG. BRASS FLAT HEAD SCREW	2	47665-108
44	250-20 X .50 LG. BRASS FLAT HEAD SCREW	2	47665-108
45	250-20 X .50 LG. BRASS FLAT HEAD SCREW	2	47665-108
46	250-20 X .50 LG. BRASS FLAT HEAD SCREW	2	47665-108
47	250-20 X .50 LG. BRASS FLAT HEAD SCREW	2	47665-108
48	250-20 X .50 LG. BRASS FLAT HEAD SCREW	2	47665-108
49	250-20 X .50 LG. BRASS FLAT HEAD SCREW	2	47665-108
50	250-20 X .50 LG. BRASS FLAT HEAD SCREW	2	47665-108
51	250-20 X .50 LG. BRASS FLAT HEAD SCREW	2	47665-108
52	250-20 X .50 LG. BRASS FLAT HEAD SCREW	2	47665-108
53	250-20 X .50 LG. BRASS FLAT HEAD SCREW	2	47665-108
54	250-20 X .50 LG. BRASS FLAT HEAD SCREW	2	47665-108
55	250-20 X .50 LG. BRASS FLAT HEAD SCREW	2	47665-108

56	250 S.S. LOCK WASHER	2	47252-238
57	375-18 S.S. HEX NUT	2	47796-103
58	BRACKET	2	59580-000
59			
60			
61			
62	375-18 X 3/75 BRASS STUD	3	57439-047
63	375 BRASS FLAT WASHER	4	47251-012
64	375-18 BRASS HEX NUT	6	47253-013
65	375-18 X 3/75 LG. HEX HEAD SCREW	1	47246-585
66	375-18 HEX NUT ENVA	1	47301-013
67	375-18 X 2.75 LG. HEX HEAD SCREW	4	47246-538
68	500-13 X 1.25 LG. HEX HEAD SCREW	4	47250-516
69	500 FLAT WASHER	4	47252-042
70	500 LOCK WASHER	4	47253-505
71	500-13 FULL HEX NUT	4	59576-601
72	MOLDED BASE ASSEMBLY	1	59625-008
73	MECHANICAL INTERLOCK ASSEMBLY (SPL)	1	59625-009
74	PLUNGER AUXILIARY (SINGLE L.H.) GROUP	1	59625-006
75	PLUNGER AUXILIARY (DOUBLE L.H.) GROUP	1	59625-006
76	PLUNGER AUXILIARY (DOUBLE R.H.) GROUP	1	59625-006
77	PLUNGER AUXILIARY (SINGLE R.H.) GROUP	1	59625-006
78	COMPLETE ARC SHIELD ASSEMBLY	1	59625-006
79	375-16 X 1.25 LG. HEX HEAD SCREW	4	47246-082
80	375-16 X 1.75 LG. HEX HEAD SCREW	2	47246-106
81	375-16 X 4.00 LG. HEX HEAD SCREW	2	47246-117
82	375-16 X 4.50 LG. HEX HEAD SCREW	2	47246-514
83	500-13 X 1.50 LG. S.S. HEX HEAD SCREW	2	47779-110
84	750 EXTERNAL TOOTH RETAINING RING	2	57429-028
85	875 EXTERNAL TOOTH RETAINING RING	2	57429-027
86	BASE	1	59576-003
87	SPACER (QTY. 4) OR AS REQUIRED	1	66870-040
88	HAIR PIN COTTER	2	57403-005
89	HAIR PIN COTTER	2	57403-006
90	HAIR PIN COTTER	2	57403-006
91	375 S.S. LOCK WASHER	8	47252-239
92	THE BAR GROUP SIZE 7 ONLY (NOT SHOWN)	1	59400-027
93	CRIMP TERMINAL	4	57513-060
94	LEAD WIRE #8 X L=33, R=31,50 LG.	5,381	8211330008
95	375 FLAT WASHER	1	47250-026
96	CRIMP TERMINAL	2	57513-066
97	CRIMP TERMINAL	1	57513-066
98	CRIMP TERMINAL	1	57513-066
99	CONTROL WIRE #14 X 9.25 LG.	1	8211410014
100	ARC SHIELD SPACER	2	67988-006
101	CLAMP TERMINAL (QTY. 4) OR AS REQUIRED	1	57300-038
102	AC CORE ASSEMBLY	1	59631-000
103	AC SIDE ARM ASSEMBLY	2	59632-000
104	SUPPORT BAR (AC SIDE ARMS)	1	59636-800
105	250-20 X 1.25 LG. HEX HEAD SCREW	2	47246-088
106	BLOWOUT CORE ASSEMBLY	1	59630-800



NOTES: * Δ ⊙ ⊕ ⊖ (NOT INCLUDED WITH COMPLETE CONTACTOR ASSEMBLY).

⊙ ITEM 73 MECHANICAL INTERLOCK ASSEMBLY PART NO. 59625-008 (ORDERED SEPARATELY).

Δ ITEM 74,75,76,77 PLUNGER AUXILIARY GROUP (INCLUDING KNOCKER, BRACKET AND MFG. HARDWARE) (ORDERED SEPARATELY).

⊙ ITEM 73A SPECIAL INTERLOCK BAR ASSEMBLY. USED ONLY WHEN CONTACTORS ARE SPACED AT 11.00" CENTERS (ORDERED SEPARATELY).

⊙ ITEM 92 THE BAR GROUP SIZE 7 ONLY (11.5" MFG. CENTERS) (NOT SHOWN) (ORDERED SEPARATELY).

⊕ ITEM 102 CLAMP TERMINAL P/N 57300-048 250, 500 MCM (ORDERED SEPARATELY).

⊙ ITEM 87 SPACER USED ONLY WHEN POWER CRIMP TERMINALS ARE USED. (ORDERED SEPARATELY).

COMPLETE ASSEMBLY PART NO.	DC CONTROL VOLTAGE (SERIES)	DC OPERATING VOLTS	ITEM 45 DOOR OPERATING COILS (2)	COIL PART NO.	OHMS EACH COIL AT 20° C
701	230 / 250V	115 / 125V	001	300 OHMS	300 OHMS
702	115 / 125V	57.5V	004	75 OHMS	75 OHMS
703	80 V	40	005	30 OHMS	30 OHMS
704	36 V	18	006	5.2 OHMS	5.2 OHMS
705	230 / 250V	115 / 125V	001	300 OHMS	300 OHMS
706	115 / 125V	57.5V	004	75 OHMS	75 OHMS
707	80 V	40	005	30 OHMS	30 OHMS
708	36 V	18	006	5.2 OHMS	5.2 OHMS

REPAIR PARTS BULLETIN 5110	MOULDED BASE FRONT REMOVABLE	900 AMP, 1 POLE, N.O.	AC CONTACTOR, SIZE 7
DATE 08/13/96	DRG. NO. RPC-59700-4	2 OF 2	

REPAIR PARTS BULLETIN 5110
MOULDED BASE FRONT REMOVABLE
900 AMP, 1 POLE, N.O.
AC CONTACTOR, SIZE 7

DATE 08/13/96 DRG. NO. RPC-59700-4
2 OF 2

50 Eastern Street, Weymouth, MA 01988
Tel: 781-939-1000